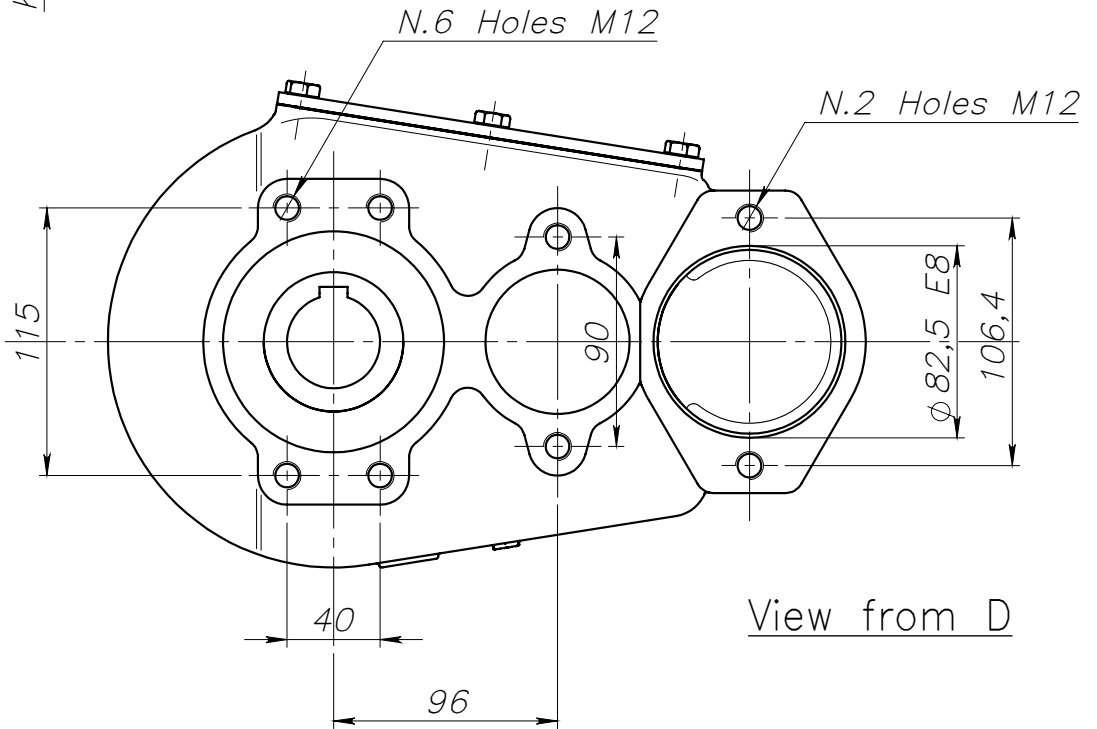
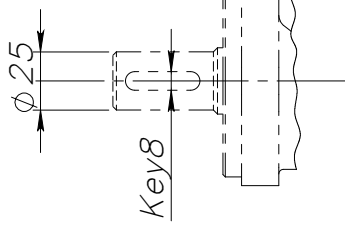
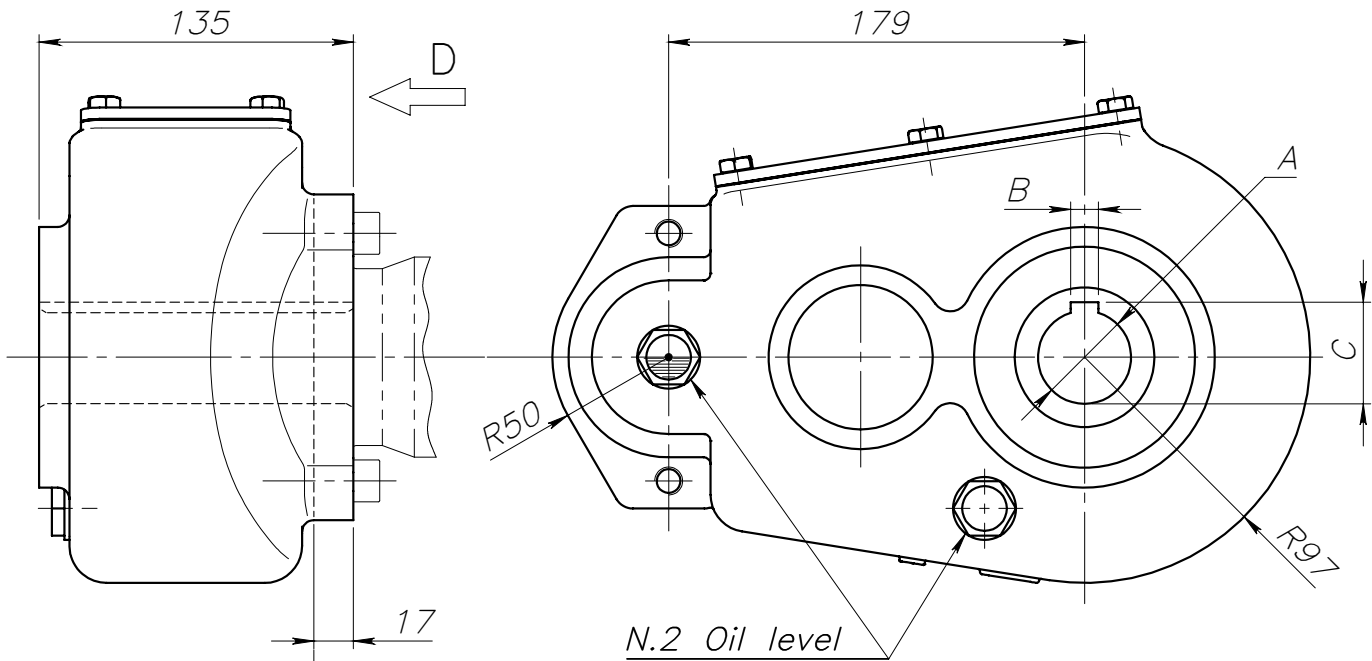


02/03/2015



Gear box RT 150-DT



View from D

Code	A E8	B E8	C	Weight kg	Ratio	Output torque Nm	Oil Type	Oil Quantity kg	Working Temperature:
17607	40	12	43,8	18.4	8:1	1500	SAE 90 EP	1,5	-20°C +80°C